

EasyPedestal



EasyRobotics®
- we move your parts

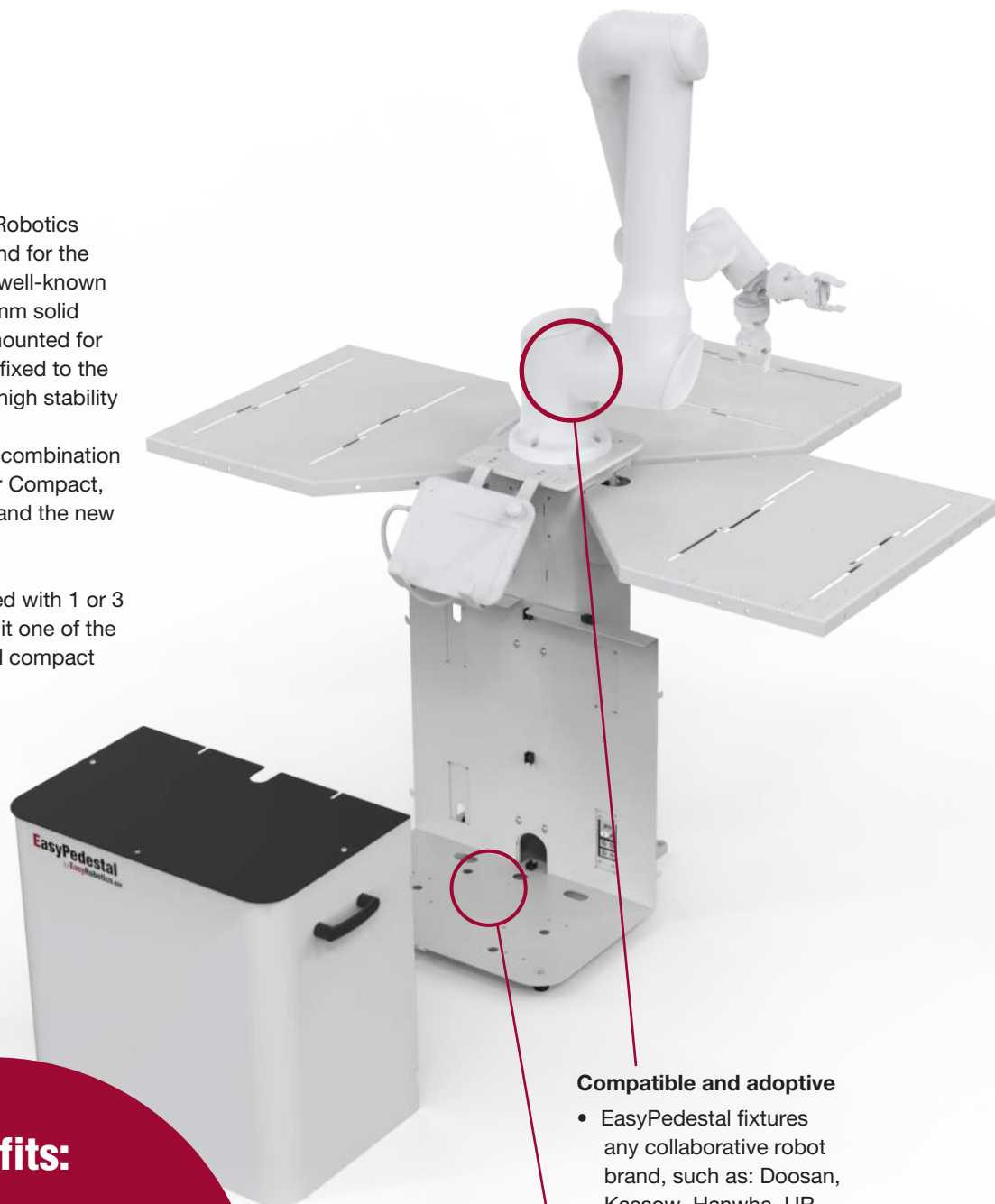
EasyPedestal

The EasyPedestal, is generic pedestal suitable for the most cobot brands on the market

The EasyPedestal from EasyRobotics is a simple, cost effective stand for the robot-arm. The design is the well-known EasyRobotics look built in 6 mm solid steel. EasyPedestal is floor-mounted for a permanent installation. It is fixed to the floor with 8x8mm screws for high stability

EasyPedestal can be used in combination with EasyRobotics ProFeeder Compact, ProFeeder Flex, ProFeeder X and the new ProFeeder R.

EasyPedestal can be equipped with 1 or 3 tables (600x400mm), making it one of the most affordable, versatile and compact solutions on the market.



Benefits:

There are several benefits which make the EasyPedestal the right choice for the industry;

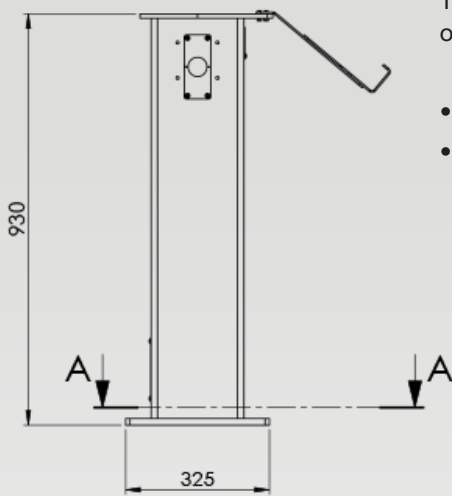
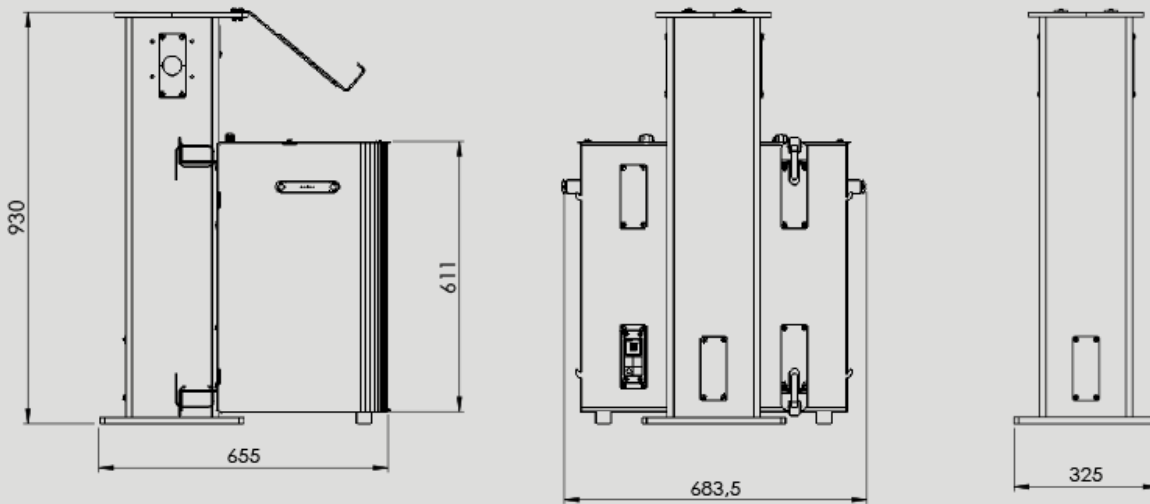
1. COMPACT – installation possible even in small spaces
2. STABLE - is made from solid metal, that ensures stability and durability
3. COST-EFFECTIVE - and even budget-friendly.

Compatible and adoptive

- EasyPedestal fixtures any collaborative robot brand, such as: Doosan, Kassow, Hanwha, UR, Fanuc, Techman.

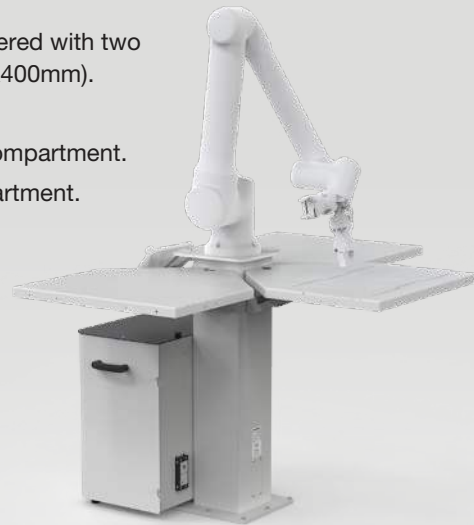
Controller compartment

- The front cabinet in Pro version of EasyPedestal is used to protect the robot-arm controller from external influences.



The EasyPedestal can be delivered with two options and 1 or 3 tables (600x400mm).

- BASE - Without controller compartment.
- PRO - With controller compartment.



Product order overview

ER-1003-00	EasyPedestal Base	H: 925 mm, Wt: 52 kg, T-Pad bracket.
ER-1003-01	EasyPedestal Base One	H: 925 mm, Wt: 64 kg, T-Pad bracket, One table.
ER-1003-03	EasyPedestal Base Three	H: 925 mm, Wt: 88 kg, T-Pad bracket, Three tables.
ER-1005-00	EasyPedestal Pro	H: 925 mm, Wt: 80 kg, T-Pad bracket, Compartment for controller.
ER-1005-01	EasyPedestal Pro One	H: 925 mm, Wt: 92 kg, T-Pad bracket, Compartment for controller, One table.
ER-1005-03	EasyPedestal Pro Three	H: 925 mm, Wt: 118 kg, T-Pad bracket, Compartment for controller, Three tables.

Danish manufacturer and supplier of robotic cells for all types of automation.

EasyRobotics®
- we move your parts

EasyRobotics ApS
Mommærkvej 5
DK-6400 Sønderborg
Phone: +45 31 25 06 02
info@easyrobotics.dk
www.easyrobotics.biz

