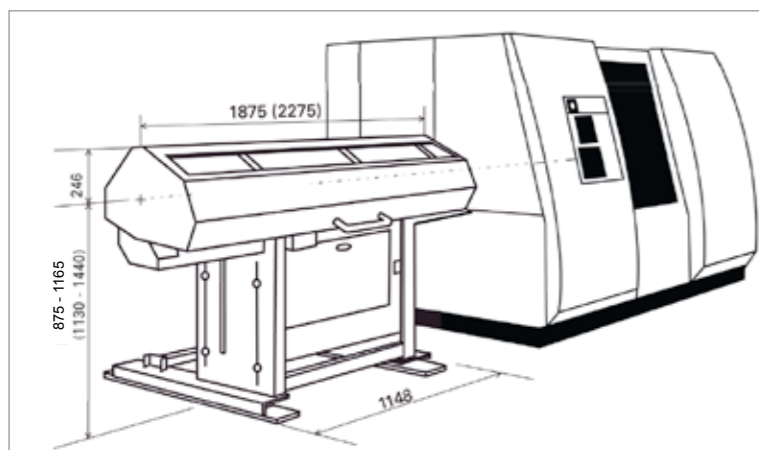


Develops in Switzerland!
From inventor of the short barfeeder

Technical data



Specification **MULTI-3000**

Capacity	round bars Ø hex bars square bars bar length	5 to 55 / 65 / 80 mm 5 to 47 / 56 / 70 mm on request 150 up to 1240 / 1640 mm restricted to spindle length
Safety	corresponding to electrical conformity	Machinery Directive 2006/42/EG EC & EMC
Electrical Connections	supply Secondary keyboard, display	200 to 415 VAC 24/5 VDC 4 lines - 20 characters LCD backlit
Language	programming operator menu	IEC 1131-3 multilingual
Loading system	material selection material feed	reduction gear motor Servo drive
Fast speed	for pusher pusher carriage guide way	60 m/min. on bearings hardened
Material positioning	at material loading at material feed	± 0.5 mm ¹ ± 0.2 mm ¹
Textured paint	complete unit	RAL 9018 papyrus white
Net / gross weight	netto / brutto	390 / 560 kg

¹ Data applies to chuck / collet closing systems by traction tube withdrawal

Samsys GmbH offers to all their sold products ever-present spare parts, including the brand Sameca. Our team possess the necessary know-how to support you in your service queries for all of our 30 years produced barfeeder systems.

Your distributor



SAMSYS GmbH
Obere Schanzenstr. 1-7 | D-55232 Alzey
Tel.: +49 (0) 6731 / 99 89 95-0 | Fax: +49 (0) 6731 / 45 33 6
E-Mail: contact@samsys.eu | www.samsys.eu

© Samsys_3000_eng_2015-09_A3



feeding the performance



Develops in Switzerland!
From inventor of the short barfeeder

MULTI-3000

A profitable investment



Technically always one step ahead

- » 100% electrically operated
- » Robust, reliable
- » Easy handling
- » Highly productive
- » Proven
- » Fast

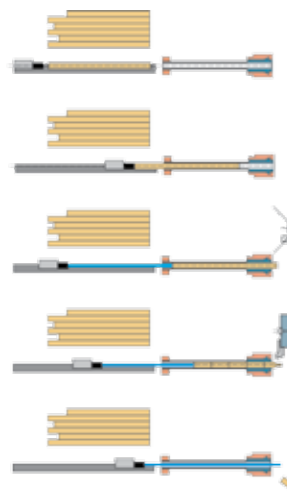
feeding the performance

www.samsys.eu

MULTI-3000

PRECISE AND EXTREMELY POWERFUL!

FAST & EASY HANDLING



Loading cycle

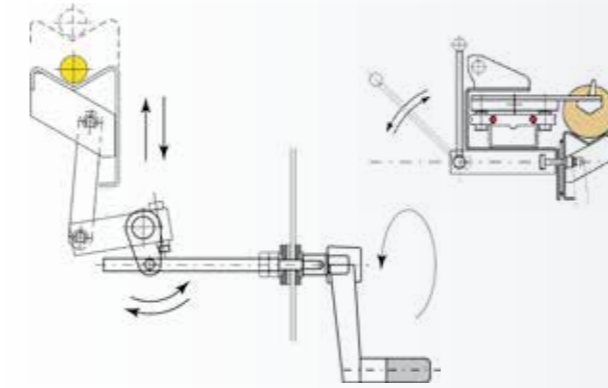
- » Loading of the bar on the V loader
- » First introduction
- » Positioning without turret stop
- » Feed with or without turret stop
- » Ejection of remnant

No impact on the lathe

V loader remains fixed and perfectly aligned with the lathe spindle during the barfeed cycle.

» No risk of impact by the bar on the lathe clamping cylinder

» The "Servo" permits accurate positioning of the bar without turret stop

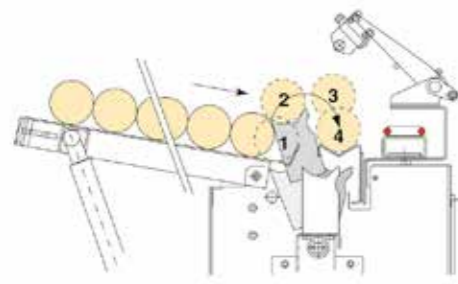


Set up in 2 to 5 minutes

- » Unlock and lower V loader
- » Replace spindle reduction sleeve
- » Raise V loader, center new bar, lock V loader
- » Move table or adjust loading grippers according to the new bar
- » Enter part parameters

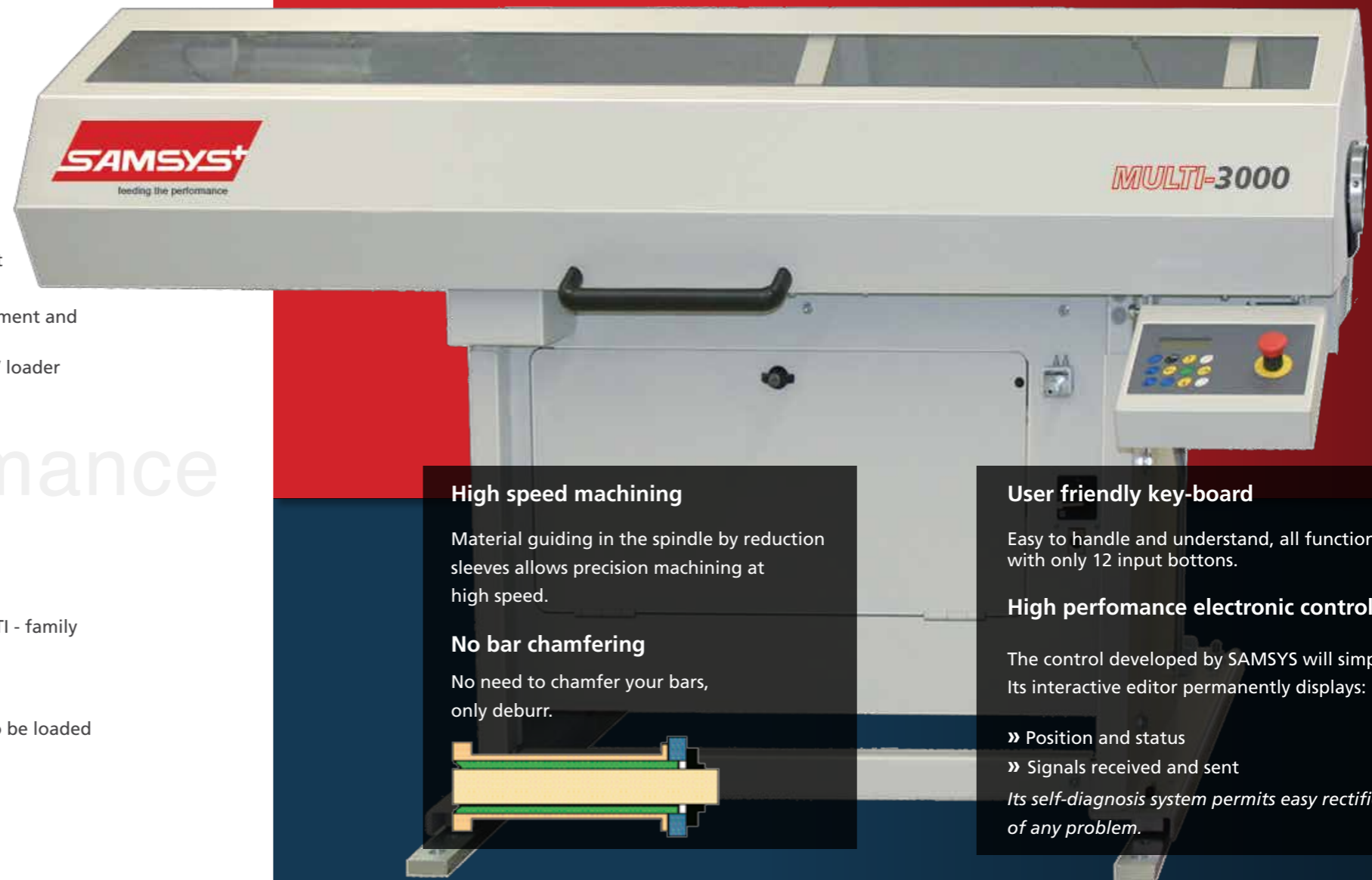
Easy access for quick changeover

Easy change of spindle reduction sleeve up to Ø 120 mm without retracting barfeeder!



No impact on the bar feeder

- » Unique loading cycle by rotary movement
- » Accurate bar selection
- » Bars stored on the table follow the movement and are retained by the selector grips
- » The selected bar is gently placed on the V loader

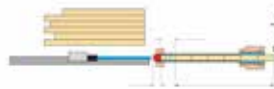


feeding the performance

Versatile



Shortest Leftovers



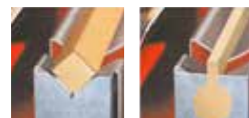
Download your bars and shafts!

» Automatic reload of the bars and shafts, with MULTI - family is just a simple question of parameter alteration

» MULTI-3000 accomodates bars of varying lengths to be loaded succussfully and minimize remnant length
(This requires a software adjustment on the lathe!)



OK OK



Option Option

MULTI-profile V-loader

» From round rods and profile without changing channels

» Special profiles on request

High speed machining

Material guiding in the spindle by reduction sleeves allows precision machining at high speed.

No bar chamfering

No need to chamfer your bars, only deburr.



User friendly key-board

Easy to handle and understand, all functions are controlled with only 12 input buttons.

High performance electronic control

The control developed by SAMSYS will simplify use. Its interactive editor permanently displays:

- » Position and status
 - » Signals received and sent
- Its self-diagnosis system permits easy rectification of any problem.

Advantages of the automated production of MULTI 3000

Extremely Powerful! Low production costs! High productivity!