



feeding the performance



Mini Shaft Loader

The ideal supplement for the Multi-3000

**Enabling the loading of shafts from
40 – 250 mm in length.***

Diameter range of 5 - 65mm.

Your advantages

- » **Simple operation**
- » **Quick mounting and dismounting**
- » **Shorter loading times compared to conventional loading magazines**
- » **Machine will be controlled via the control panel of the loading magazine**
- » **Installation of the mini shaft load takes place by only one power plug**

* max. standard length 140 mm. Other lengths are available on request.



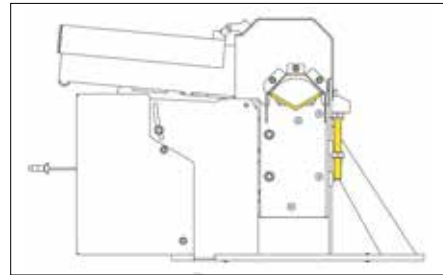
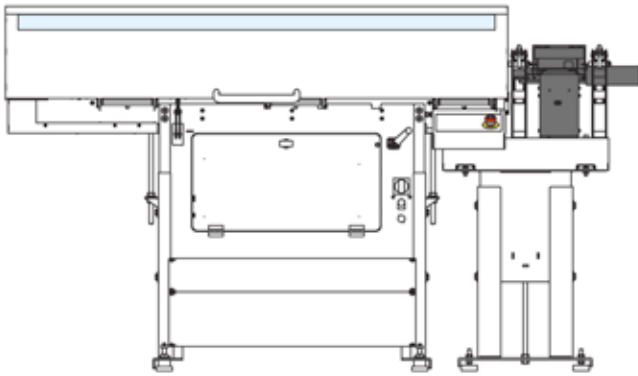
feeding the performance

www.samsys.eu



Mini Shaft Loader

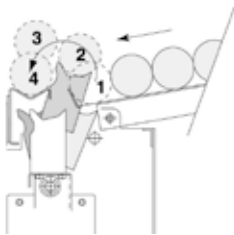
The ideal supplement for the Multi-3000



Mini Shaft Loader side view

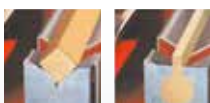
Specification and technical data:

Capacity	round bars	Ø 5-65 mm
	hex bars	Ø 5-56 mm
	square bars	on request
	shaft length	40-250 mm*
Loading system	material selection	gear motor
	material feed	servo motor of existing loading magazine
Electrical connections	secondary	24V, plug connection with loading magazine
	keyboard, display	control panel of the feeder
Weight	netto	24 kg
	* max. standard length 140 mm. Other lengths are available on request.	



No impact on the bar feeder

- » Unique loading cycle by rotary movement.
- » Accurate bar selection.
- » The selected bar is gently placed on the loading channel.



MULTI-profile loading channel

- » From round rods and profile without changing channel.
- » Special profiles on request.

SAMSYS would be pleased to discuss the Mini Shaft Loader with you!
We are looking forward to your call!